

ZOBO Series – Z2, Z3

Color-Adjustable Wireless Bluetooth Controlled Lamps

The Luxium™ ZOBO Series is a patented family of color-adjustable, directional beam, screw in lamps. They come with embedded wireless receivers and a choice of Bluetooth and/or wireless DMX control. ZOBO is great for colorful enhancements to buildings, stages and events. The unique design merges an innovative high-output LED lighting module and super-efficient color-adjustment system inside a traditional PAR30 form factor. The ZOBO lights produce deluxe illumination with full-spectrum color-mixing and smooth full-range dimming effects. The ZOBO lights can be set to produce a wide color range or in the CCT mode, they produce selectable calibrated whites from warm to cool with high color rendering quality. The Z2 and Z3 offer Bluetooth control with the LuxiumApp. Z3 also has wireless DMX control.



KEY FEATURES

- Extreme color gamut with use of custom 6-ch LED system using Cyan and Lime for more colors.
- Uses both color and white LEDs to achieve warm to cool range of whites and pastel colors.
- No flicker and full-range output of different colors or white light output with smooth dimming
- Wireless remote control through Bluetooth mobile app and/or wireless DMX.
- High quality color rendering with adjustable beam angles and uniform color-mixing

OPTICAL

- Exclusive internal dimming system for smooth fades from 100% down to 0.1%
- Multiple life-time calibrated CCT points from 2200K to 6500K with up to 97 CRI
- Proprietary color LED control system for no flicker and industry-leading color tuning
- High-intensity LEDs with greater than 80 lumens/watt lighting efficacy
- Standard Spotlight 19-degree beam for uniform white or color floodlight illumination
- Works with a diffuser kit option for beam shaping: Narrow Flood, Flood, Wide Flood, Broad, Oval

CONTROL WITH BLUETOOTH

- Wireless Bluetooth control of individual lamps or grouped lamps.
- Bluetooth for dimming and to choose pre-defined colors/sequences, set groups, define custom colors
- Luxium™ mobile app and an iOS mobile device using Bluetooth needed for control
- Digital dimming from 100% to 0.1% (not compatible with line-power dimming circuits)

ELECTRICAL

- AC or DC operation with input of 85-264VAC / 50-60Hz, 100-370VDC

MECHANICAL

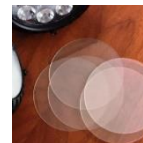
- E26, Edison-type screw-in base
- PAR30 long-neck form factor
- Durable, paintable, cool-to-touch polymer housing

SPECIFICATIONS:

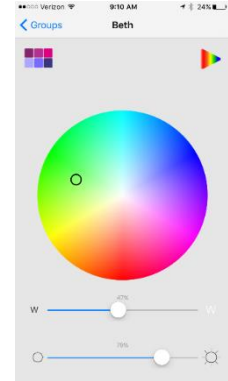
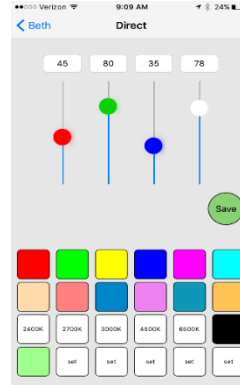
Beam Output and Shape	ZOBO Z2, Z3
Max White Flux (lumens)	1800
Max White Illuminance (Lux@2m)	2569
Calibrated CCT Range	2200K – 6500K
Beam @FWHM /Field angle (degrees)	19 / 37
Beam angle w / Optional diffusers	24, 29, 47 oval
LED emitters (custom 6-ch system)	12 x 3W RGBLW
Beam width (meters) @ 3.0m (10')	1.3m
Mechanical and Environments	
Cooling	Active
Housing Material	PC/ABS
Lens Material	Polycarbonate
Weight	0.22 kg (0.5 lb.)
Max Ambient Operating Temperature	40°C (105°F)
Power and Control	
Current max (A)	0.19 @110V
Voltage (operating range)	110/240 VAC, 60Hz
Power Consumption (Watts)	0.1 to 22W
Efficacy (lumens/watt)	>80 L/W
Pre-programmed colors	12
Pre-programmed sequences	8
Bluetooth control for setup / operation	Z2, Z3
Bluetooth and Wireless DMX control	Z3

OPTIONS

- DK1 - Diffuser Kit with interchangeable micro-lens sheets to change beam angle from narrow flood to wide flood or elliptical shape.
- LC1 - Lamp cage with socket and cord for mounting ZOBO to structures.
- W-DMX – The Z3 can be ordered with a W-DMX wireless DMX receiver in place of the Luxium ZMX receiver.



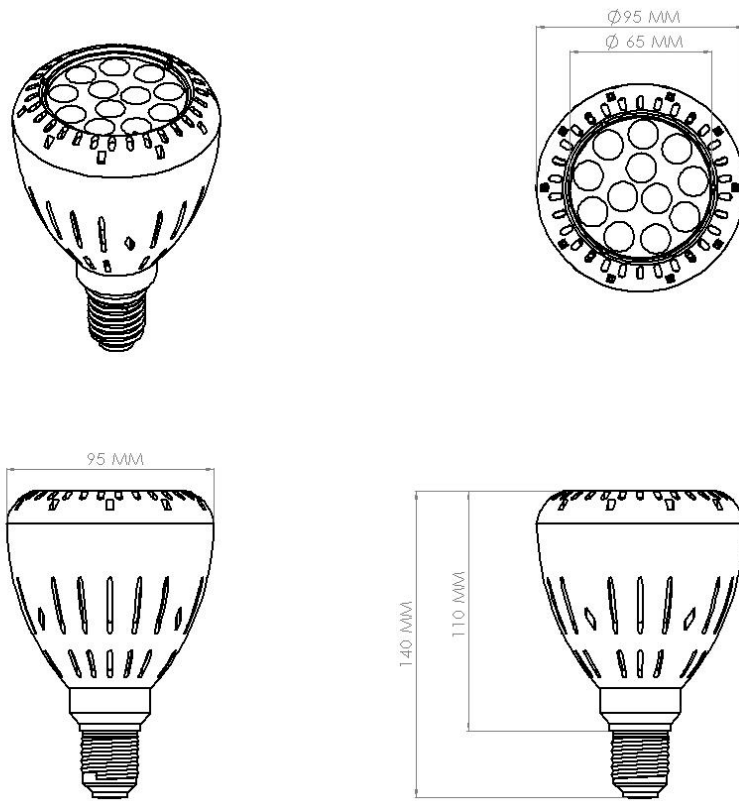
WIRELESS BLUETOOTH CONTROL SYSTEM



Multiple ZOBO lamps can be configured as groups (up to 7 units/group) or stand-alone

Bluetooth App by Luxium uses Android or Apple iOS. Control with pre-set static colors and sequences or adjust with color wheel/slider interface. Able to turn-on with saved color.

DIMENSIONS



PHOTOMETRICS

ZOBO – Typical ratings

Color Point	Flux	Illuminance
	Field Lumens	LUX@2m
Red	400	2390
Green	410	2464
Blue	170	1000
Full RGBCLW	1800	2569
2400K CCT	1210	1830
2700K CCT	1117	1693
3000K CCT	1056	1600
4500K CCT	873	1323
6500K CCT	1316	1993

